



A.u.S. Spielgeräte GesmbH
Scheydgasse 48 A-1210 Wien
Tel. +43-1-271 66 00 Fax. +43-1-271 66 00 75
E-mail: verkauf@aus.at
<http://www.aus.at>
Öffnungszeiten: Mo-Fr. 9-18 Uhr



Virtual Dip Switch

Configuratore elettronico
Electronic Programmer



Manuale operativo
Operating manual

GUIDE TO THE SYMBOLS IN THIS MANUAL

The following symbols have been included in this manual to facilitate its consultation.



Important information



Read carefully before use



Caution!



This device complies with the regulations in force.

SAFETY INFORMATION

This machine is equipped with safety devices to prevent damages caused by short circuits and fires.



These devices must not, under any circumstance, be excluded from the circuit, nor must they be removed.
Should they be deactivated to carry out maintenance or repair operations, it is possible to operate on the equipment only in absence of electric power.



The safety devices have been made in compliance with the regulations in force.
The operator must regularly verify the efficiency of the equipment.

Possible hazards from machine use

If kept in good conditions and if installed correctly (according to the indications in this manual), the machine does not expose the user to any kind of hazard.



Risks from electricity: direct contacts during its connection to the main power supply.
Operations to be carried out by **qualified personnel**.

Risks during installation and preparation of the device

Follow the installation instructions, in order to minimise risks to persons and objects.



Risks from electricity: direct contacts during its connection to the main power supply. Operations to be carried out by **qualified personnel**.

Precautions:

- Make sure that the distribution line is sized according to the intensity of the current absorbed by the machine.
- Carry out the ground connection before connecting equipment or aggregate devices.

Risks during device maintenance



Risks from electricity: direct contact with live parts inside the electrical components cabinet.
Operations to be carried out by **qualified personnel**.

Precautions:

- Operate on the machine only after ensuring that the main power switch is turned off

GENERAL GUARANTEE CONDITIONS

Please read the following carefully in order to understand the general warranty conditions for this product.

The supplied goods and services are guaranteed by our company for a period of 12 months. The term of guarantee starts from the date of purchase (indicated on the invoice). The guarantee is limited to the normal working order of the supplied goods and to the result of the service provided. Products supplied are restored to normal working order at our company site.

Our company cannot be held liable for the working order of goods supplied operating in environmental or technical conditions that are not conform to our specifications and which are described in the technical documentation. Moreover, our company cannot be held liable for any direct or indirect damage not caused by the malfunctioning of the product.

The guarantee is void should the purchaser default in the payment of the price.

The guarantee will not be applied in the following cases:

- tampering with the label displaying the serial number of the machine;
- damage or breakage caused by transport;
- damage or breakage caused by vandalism, natural disasters or malicious actions;
- incorrect installation or misinstallation of the product;
- inadequate or malfunctioning electrical installations;
- carelessness, negligence or incompetence in the use of the product;
- non-compliance with the operating instructions;
- interventions for alleged defects or convenience checks;
- unauthorised interventions on the product.

Any interference or tampering with the supplied goods by unauthorised persons will make the guarantee void. We hereby declare that we have taken careful consideration, to the best of our knowledge and manufacturing practices, to the problem of goods supplied being violated by parties who intentionally alter their normal working order. Nevertheless, we cannot be held liable for illegal conduct or damage that may result from the fraudulent use of the supplied goods.

Dear customer,

Thank you for choosing a Comestergroup product. By carefully following the indications of this instruction manual, you will be able to appreciate over time, and with much satisfaction, the quality of our machines.

Please read the use and maintenance instructions carefully and comply with all safety precautions before using the equipment. Keep this manual for future reference.

Contents

Contents	26
1. Introduction	28
2. Presentation and connection	28
3. Warnings	29
4. Unpacking	29
5. Description and names of the parts	30
6. Functions	31
6.1 En/Dis Coins (Enable/Disable Coins).....	31
6.2 Selfprog (Self-program)	32
6.3 En / Dis Chs (Enable/Disable Channels).....	33
6.4 Sorter Type	33
6.5 Sorter Path.....	33
6.6 Options	34
6.7 Selftest.....	34
6.8 Fake Management	35
7. Care and maintenance	37
7.1 Maintenance and external cleaning.....	37
8. Technical Assistance	38
9. Technical data	39

10. Annexes 40
10.1 Decommissioning and disposal 40



1. Introduction

This manual and its annexes provide all the necessary information for a correct installation of the product and all its components, as well as for its correct use and maintenance.

The information contained in this manual can be modified without prior notice and does not constitute a commitment on behalf of Comestero group

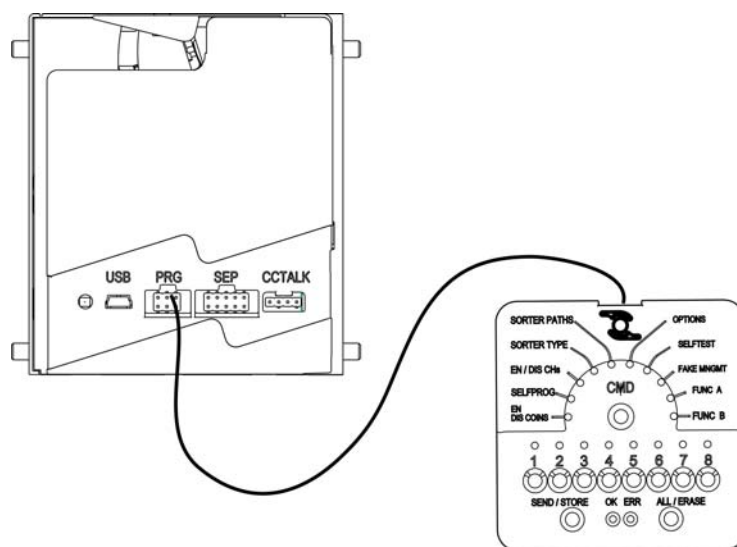
The information contained in this manual has been collected and verified with the utmost care; however, Comestero group has no liability arising from its use.

Unless otherwise stated, any reference to companies, names, dates, and addresses is purely coincidental and has the sole purpose to illustrate the use of the product.

The reproduction of any part of this manual without prior authorisation by Comestero group is prohibited.

2. Presentation and connection

Virtual Dip Switch is a portable electronic device, which allows configuring the RM5 HD coin mechanism without having to disconnect it from the machine onto which it is installed. Virtual Dip Switch must be connected to the “PRG” connector on the coin mechanism by means of the cable provided, as shown in the figure below.



3. Warnings



Read this manual carefully before use.

The indications and information contained in this manual are essential for a correct use of the product.

Upon receiving your product, make sure it has not been damaged during transport.

Pay attention to the electrical connections. Faults and malfunctions deriving from non-compliance with the instructions contained in this manual are not covered by guarantee.

In this document, symbols are used to highlight important situations that must be carefully observed.

4. Unpacking

Upon receiving your product, make sure it has not been damaged during transport. Should you notice damage of whatever nature, contact the delivery company and immediately file a complaint.

Following transport, the package must be intact, i.e., *it must not* show:

- dents, signs of knocks, deformation or rupture of the packaging.
- Wet or damp patches or signs, which indicate that the package has been exposed to rain, frost or heat.
- signs of tampering.

Also, make sure that the content of the packaging corresponds to your order.



To prevent any damages to the machine, we recommend handling it inside its original packaging.

We recommend:

- not to knock the machine
- not to leave the machine exposed to weather agents (even if inside its packaging)

5. Description and names of the parts

The Virtual Dip Switch interface is composed of the following buttons and Indicator LEDs.

A. A function selection button (CMD)

B. 10 selected function indicator LEDs.

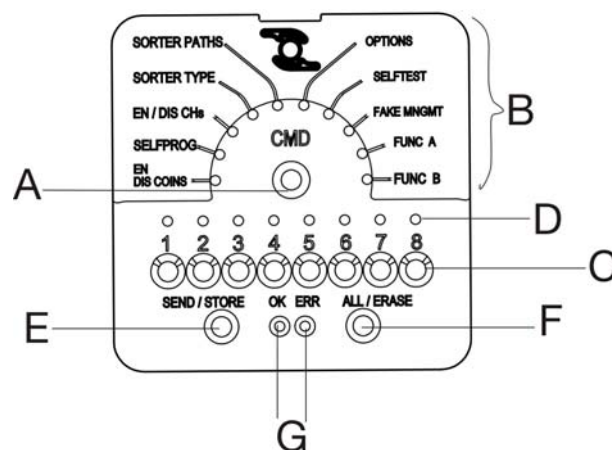
C. 8 data setting buttons

D. 8 LEDs for viewing the set data. LEDs show information in blocks of 8; to proceed from one block to another, press SEND. After displaying the last block, it returns to the first one.

E. 1 double function button (hold down for a shorter/longer time) to execute the SEND/STORE functions. The SEND function (hold down briefly) sends the selected command, which is shown by the relative LED or, in the event of multiple parameter commands, it proceeds to the next stage. The STORE function (hold down longer) stores the selected command in the memory for future use.

F. 1 double function button (hold down for a shorter/longer time) to execute the ALL/ERASE functions. The ALL function (hold down briefly) sends all of the configuration commands previously stored through the STORE function. This function allows performing the same settings on several coin mechanisms. The ERASE function (hold down longer) deletes the configuration commands previously stored through the STORE function.

G. 2 general indicator LEDs (PWR On / WAIT / ERROR etc.)



6. Functions

Virtual Dip Switch allows performing the following activities on the spot.

6.1 En/Dis Coins (Enable/Disable Coins)

This command allows inhibiting or enabling all the coins with the same value.

Virtual Dip Switch displays the activations in blocks of 8 at a time. The passage from one block to another occurs by pressing SEND and is indicated by the LED associated to the current block number.

Pressing the button associated with each LED reverses the current coin activation from "Enable" to Disable" (LED on - LED off) or vice-versa.

By pressing SEND, the command with all the information that has been modified by the user will be sent to the coin mechanism, while the inhibition of the next 8 coins will be displayed.

By pressing STORE, the inhibition status of all the coins will be stored; while the current coin block is reset to 1 (Led 1 flashing)

Note: Each activation refers to the COIN; not to the single recognition channel, but to all those dedicated to the same coin.

6.2 Selfprog (Self-program)

This command allows starting the Self-Program procedure on any channel of the coin mechanism (1-62).

Coins cannot be calibrated on channels 63-64 by means of the configuration Virtual Dip Switch.



WARNING: The Selfprog procedure requires **15 pieces** of the coin to be calibrated.

Upon selecting the function, LED 1, corresponding to the first of the 8 blocks, flashes for a few seconds. At this point, select the channel using the buttons from 1 to 8.

All the LEDs on the Virtual Dip Switch, corresponding to the first 8 channels are off.

By pressing a button, the corresponding LED lights up, while the previously lit one turns off

Pressing SEND when no LED is on will allow shifting to the next block of 8 channels

Pressing SEND with a LED on will send the Self-Program command to the selected channel.

The first 7 LEDs will light up and will progressively turn off when the 15 coins, required for the self-analysis function, are inserted in the coin mechanism. Once the coin mechanism has analysed the last of the 15 coins, a mechanical signal will warn that the self-program procedure is complete.

This command is not subject to STORE; pressing this button will reset the current block to 1 (channels 1...8).

Note: the channel calibrated in Self-Program mode is automatically enabled and refers to the coin with the same index as the channel.

6.3 En / Dis Chs (Enable/Disable Channels)

Allows Enabling or Disabling any of the 62 calibration channels of the coin mechanism. The 62 channels are divided into blocks of 8; the passage from one block to another occurs by pressing SEND and is shown by the LED that indicates the current block number.

Upon selecting the block, press one of the 8 buttons to enable or disable the channels; the corresponding LED will light up when enabled and turn off when disabled.

Modifying the activation may take a few minutes.

By pressing STORE, the flags of all 64 channels will be stored in the memory and the current block will be reset to 1.

6.4 Sorter Type

This command allows selecting the type of sorter associated with the coin mechanism.

There are 16 sorters available, including the custom one.

Upon selecting the command, the device interrogates the coin mechanism to know which sorter is being used and will show it using one of the 8 LEDs.

By pressing a button, the LED corresponding to the sorter lights up, while the previously lit one turns off. A table with all the main sorters on the market associated with a number is printed on the back of the Virtual Dip Switch. Select the button with the chosen sorter number.

Pressing SEND when no LED is on will allow shifting to the next block of 8 channels (block 2), while, if at least one LED is on in the first two blocks, it executes/stores the command.

6.5 Sorter Path

This command allows modifying the sorting path of the first 8 coins.

Upon selecting the function, LED 1 flashes fast, while the LED corresponding to the position of the coin lights up.

By pressing SEND, LED 2 flashes fast, while the LED corresponding to a path lights up. This path can be changed by pressing one of the 8 buttons, upon which the corresponding LED will light up.

Pressing SEND/STORE when no LED is on will keep the channel selection status while, if at least one LED is on in the first two blocks, it executes/stores the command.

Note: this command only modifies sorter path 1 of the 8 available for each coin.

6.6 Options

This command allows enabling some of the coin mechanism operation options.

Upon selecting this command, the Virtual Dip Switch sends the command for reading the options and displays the 8 main ones.

A lit LED indicates that the corresponding option is activated:

1. Low activation level
2. Coins with holes
3. Fake management channels
4. Retrieving self-inhibition (not available for ccTalk versions)
5. Fraud self-inhibition (not available for ccTalk versions)
6. Quick coins
7. Open door alarm (only for ccTalk versions)
8. Master Inhibit at startup

Pressing the button associated with each LED reverses the corresponding option activation.

By means of the SEND/STORE command, the device reads the options and will modify the changed ones and then send/store the command. A reminder of the available options is printed on the back of the Virtual Dip Switch.

Note: Some options cannot be changed in the CCTALK-Italia coin mechanisms

6.7 Selftest

This command allows broadly verifying the correct operation of the coin mechanism. It does not require setting additional parameters.

The test outcome is displayed on the LEDs as follows:

- All off: OK
- DataLed 1: Error in the internal checksum
- DataLed 2: Error on one of the coils
- DataLed 3: Error on the recessed sensors
- DataLed 4: Error on the diameter sensors

A table with all the information above is printed on the back of the Virtual Dip Switch.

This command is not subject to SEND and STORE.

6.8 Fake Management

This command allows marking calibration channels as FAKE.

Upon selecting this command, the Virtual Dip Switch sends the command requesting the identification as genuine or fake of all the channels and displays them by means of the 8 indicator LEDs. The FAKE is indicated by a lit LED.

Pressing the button associated with each LED reverses the channel flag from Fake to genuine (LED on - LED off) or vice-versa.

By pressing SEND, the command with all the information that has been modified by the user will be sent to the coin mechanism, while the flags of the next 8 channels will be displayed.

By pressing STORE, the flags of all 64 channels will be stored in the memory and the current block will be reset to 1.

Note: This command is rejected by CCTALK-Italia coin mechanisms.

7. Care and maintenance



All maintenance operations on the validator must be carried out when the machine onto which the validator is installed is disconnected from the power supply.



We strongly recommend following these instructions carefully in order to always keep the validator in the best operating conditions and to prevent dangerous situations that would make the guarantee void.

7.1 Maintenance and external cleaning

Always keep the external surfaces of the equipment clean; to do so, we recommend using a damp cloth or a mild detergent. In case of resistant dirt, clean the surface with water and alcohol. Do not use aggressive petroleum or trichlorethylene-based chemical solvents, nor abrasive detergents or sponges that could damage the equipment.

Do not submerge in or expose the equipment to water or other liquids of whatever nature.

Regularly verify the equipment surfaces with special attention to those areas that, due to normal operation conditions, could represent a hazard for the user.

8. Technical Assistance



A.u.S. Spielgeräte GesmbH
Scheydgasse 48 A-1210 Wien
Tel. +43-1-271 66 00 Fax.+43-1-271 66 00 75
E-mail: verkauf@aus.at
<http://www.aus.at>
Öffnungszeiten: Mo-Fr. 9-18 Uhr

9. Technical data

Dimensions (hxwxd)	71x71x12 mm.
Weight	50 gr.
Supply Voltage	5 Vdc (from coin mechanism)
Current consumption	n.a.
Working temperature	50 °C

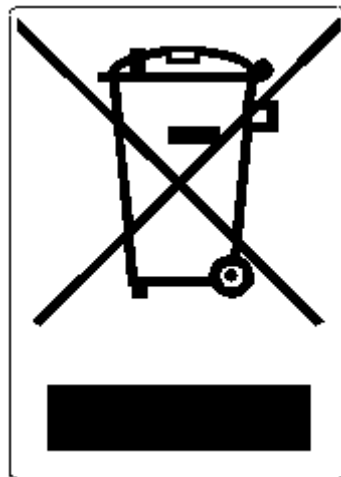
10. Annexes

10.1 Decommissioning and disposal

At the end of its intended life, the product must be decommissioned and disposed of at a recycling site.



This equipment cannot be disposed of in urban waste bins, but must be disposed of as established in Legislative Decree No. 151 dated 25/07/2005.



Sanctions in case of illegal disposal of such waste:

1. The distributor who does not retrieve the used electrical or electronic equipment free of charge, as stated in art. 6, paragraph 1, letter b), will be fined between 150 and 400 Euros, for every equipment unretrieved or retrieved not free of charge.
2. Manufacturers who fail to provide a separate professional EEE disposal system in compliance with article 6 –paragraph 3, as well as EEE retrieval, handling, treatment and recycling systems according to article 8 - paragraph 1, article 9 – paragraph 1 and 11 – paragraphs 1 and 12 – paragraphs 1, 2 and 3, notwithstanding for the latter operations, agreements concluded in compliance with article 12 – paragraph 6, will be fined between 30.000 and 100.000 Euros.
3. Any manufacturer who after the 13th August 2005 releases electrical or electronic equipment without financial guarantee in compliance with article 11 –

paragraph 2 or art. 12 - paragraph 4, will be fined between 200 and 1,000 Euros for every machine released on the market

4. Manufacturers who in EEE use instructions do not provide the information as in article 13 – paragraph 1, will be fined between 200 and 5,000 Euros
5. Manufacturers who, within one year from releasing a new type of EEE , do not make information available to disposal/recycling centres according to article 13 – paragraph 3, will be fined between 5000 and 30,000 Euros.
6. Manufacturers who, after the 13th August 2005, releases EEE without the indications and symbols as in art. 13, paragraphs 4 and 5, are fined between 200 and 1,000 Euros for each equipment released. The same fine is charged should the aforementioned indications and symbols are not conform to the requirements set by art. 13, paragraphs 4 and 5.
7. Manufacturers who releases EEE without having registered with the chamber of commerce in compliance with article 14 – paragraph 2, will be fined between 30,000 and 100,000 Euros
8. Any manufacturer who, within the time limit established in article 13 – paragraph 8 does not communicate to the national registry concerning the disposal of EEE as stated in article 13 – paragraphs 3, 4 and 5 will be subjected to the foreseen sanctions.
9. Notwithstanding the exceptions as in article 5 paragraph 2, whoever after the 1st July 2006 releases new EEE containing substances as in article 5 , paragraph 1 or other substances indentified by article 18, paragraph 1, will be fined between 50 and 500 Euros for each equipment released or between 30,000 and 100,000 Euros