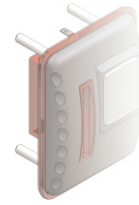


**TOP COIN SLOTS**

**5399000149**

Top Coin Entry "Halo" effect



**Technical Document**

**Features**

Manufactured in high quality technical plastic material.

Inbuild Illuminated Push Button for reject.

Different colour for the "halo" are available.

Easy assembling and disassembling.

Microswitch included

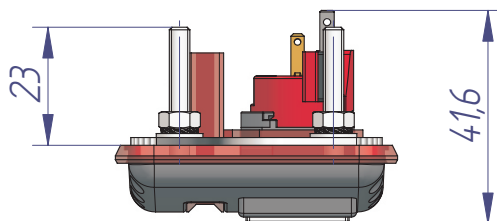
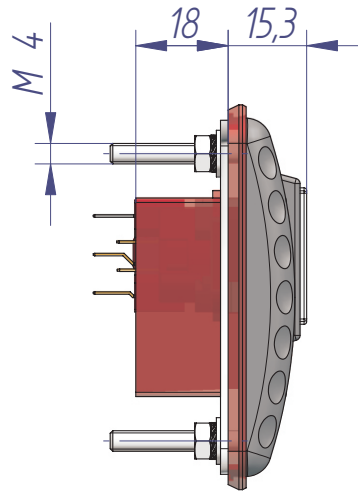
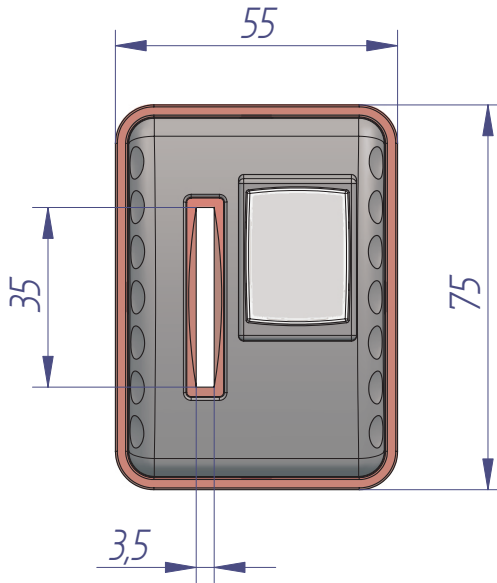
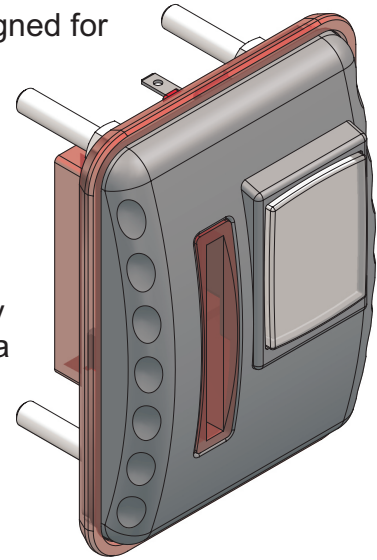
**Applications**

Gaming/AWP machines which need Front Coin Entry.

This **Coin Entry** has been designed for all those machines working with a Front Coin Entry.

It's unique design include a Illuminated Push Button and an adapter bezel with "halo" effect.

This product can be used in any other similar application where a new and different design is required.



FRONTAL COIN ENTRY WITH HALO	
# Part Number	Colour of Halo
5399000149-02	RED
5399000149-00	YELLOW
5399000149-03	GREEN
5399000149-04	AMBER
5399000149-01	BLUE
5399000149-05	TRANSPARENT

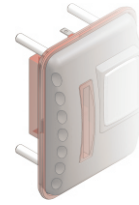
**Contact**

Phone: +49 (0)894141446-00  
 e-mail: info@saxxot.de  
 Zeppelinstrasse 73  
 DE-1669 Munich Germany)

**TOP COIN SLOTS**

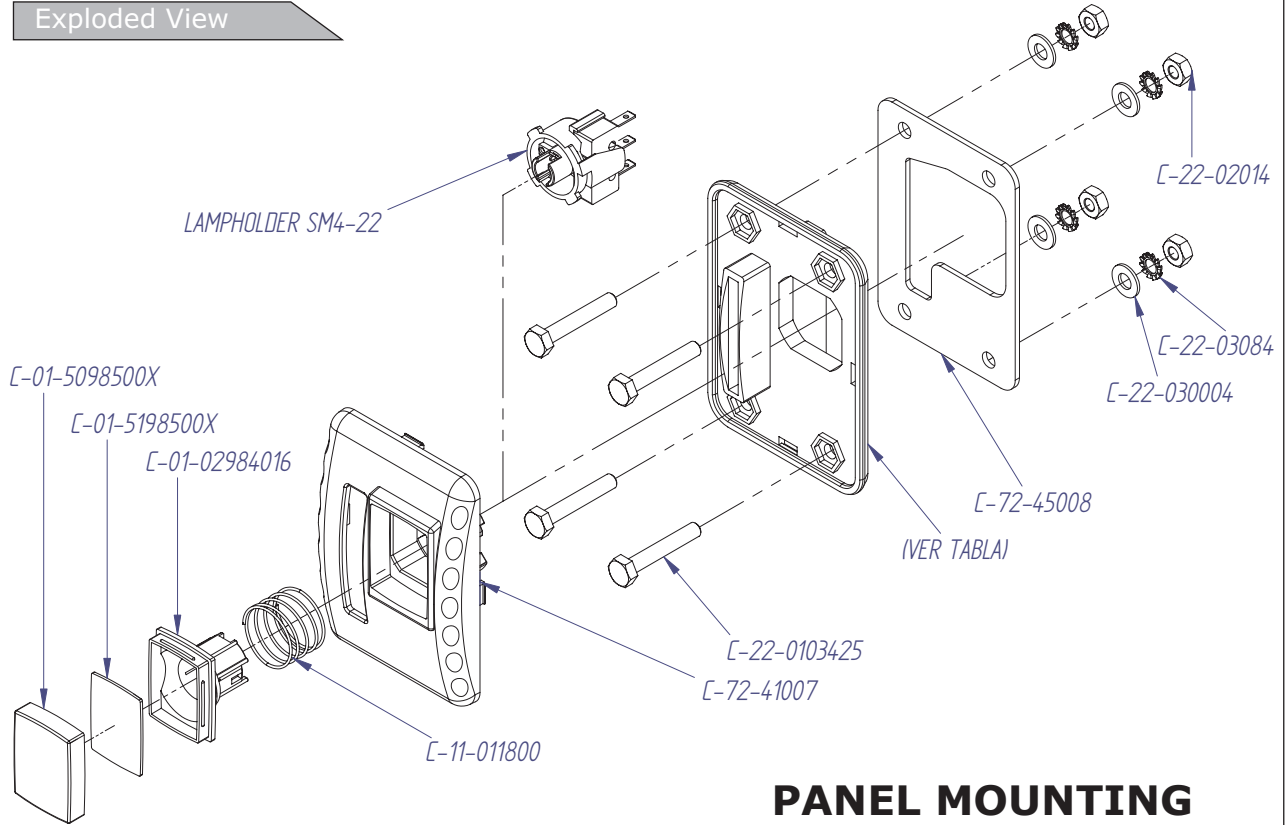
**5399000149**

Top Coin Entry "Halo" effect

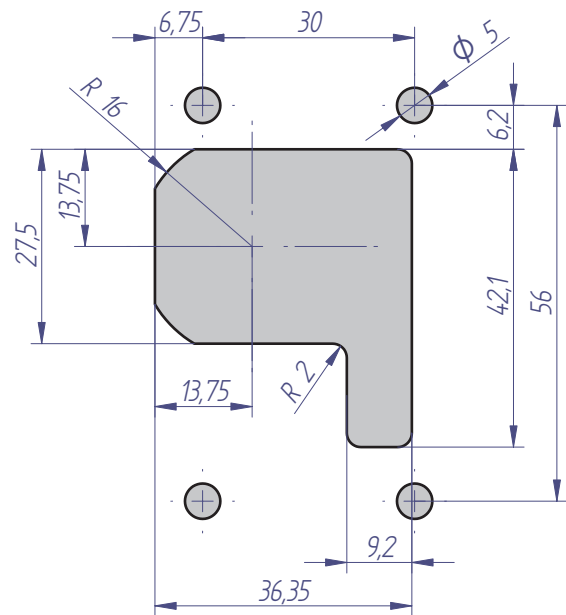


**Technical Document**

Exploded View



**PANEL MOUNTING**



ADAPTER BEZEL FRONTAL COIN ENTRY		
# Part Number	Material	Colour
C-72-43031	PC (Translucent)	RED
C-72-43032		YELLOW
C-72-43033		GREEN
C-72-43034		AMBER
C-72-43035		BLUE
C-72-43036		TRANSPARENT

**NOTE:** Some modifications or adaptations might be available under special request.

[www.aus.at](http://www.aus.at)

Contact

Phone: +49 (0)894141446-00 e-mail: info@saxxot.de  
Zeppelinstrasse 73  
DE-1669 Munich Germany

English Rev:1.0.0