

ILLUMINATED PUSH BUTTONS

2390000271

SaXXot.de

Illuminated Push Button (Easy Clip System)



Technical Data

Features

Hard Assembly.

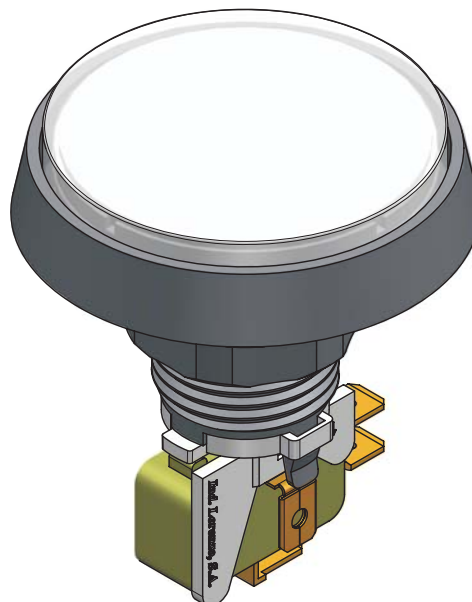
Easy Clip System for Lamp Holder.

Illumination with Triple LED or T10 Lamp.

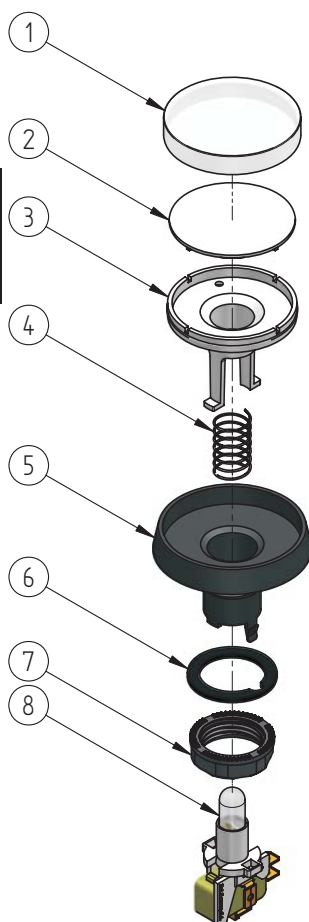
Available an extensive range of colours.

Illuminated Push Button

Now it's incorporated a new fast fixation system between Lamp Holder and the Bezel.



(5) BEZEL P.L. "RG (AR)"			
# PART NUMBER	MATERIAL	COLOUR	FIXING
C-01-01105217A	A.B.S.	BLACK	42 (mm)
C-01-01105817A		BLACK	38 (mm)



(1) LENS CAP "RG"		
# PART NUMBER	MATERIAL	COLOUR
C-01-50105001	PC (Clear)	RED
C-01-50105002		YELLOW
C-01-50105003		GREEN
C-01-50105004		AMBER
C-01-50105005		BLUE
C-01-50105006		TRANSPARENT

(2) PLASTIC LEGEND "RG"		
# PART NUMBER	MATERIAL	COLOUR
C-01-51105001	PS	RED
C-01-51105002		YELLOW
C-01-51105003		GREEN
C-01-51105004		AMBER
C-01-51105005		BLUE
C-01-51105006		WHITE
C-01-51105010	A.B.S.	OPAL
C-01-51105066	PC	OPAL

www.saXXot.de

English Rev:2.0.1

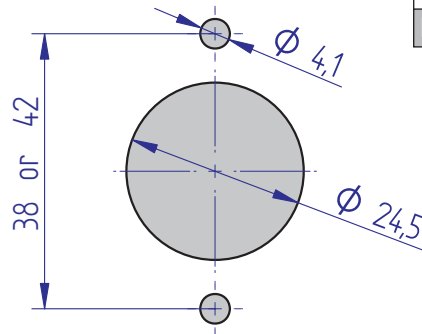
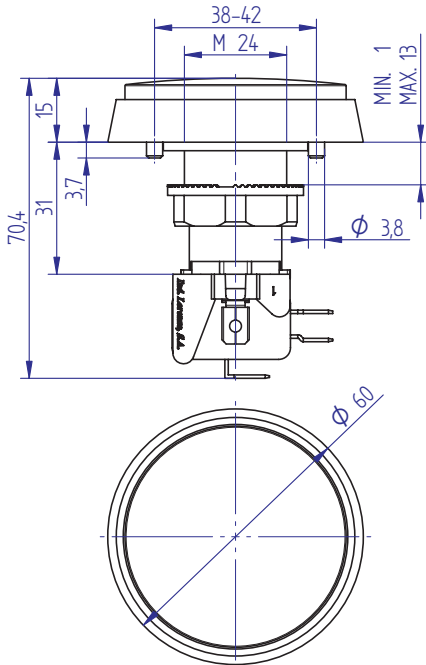
Contact
 Telf: +49 (0)894141446-00
 e-mail: info@saXXot.de
 Zeppelinstrasse 71-73
 DE-81669 Munich Germany

A01A5

Illuminated Push Button RG-38/RG-42
(Easy Clip System)

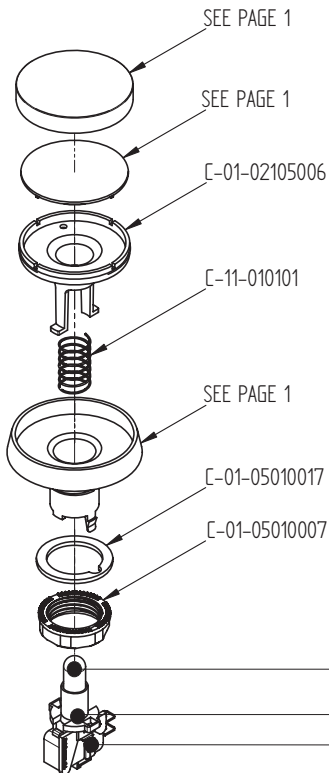


Technical Data



Dimensions

PANEL MOUNTING



Available Lamps:

- T-10 12V 2,2W
- T-10 12V 1,5W
- T-10 12V 1,2W
- T-10 6V 2,0W
- T-10 6V 1,5W
- T-10 24V 2,0W
- T-10 28V 1,6W

Also available triple "LED" C-08-P3312X

Red LED of 8 mm. (Large PCB)

Red LED of 8 mm. (Small PCB)

Red LED of 3 mm. (Large PCB)

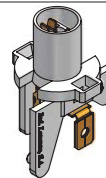


LampHolder:

LampHolder with E.C.S.

Standard Illuminated Push Button 0,7.

Fast-on 0,7 mm. Standard I.P.B.



Available Microswitches:

- | | |
|-----------|--------------|
| SAIA | 3t (6,35 mm) |
| Honeywell | 2t (6,35 mm) |
| Cherry | 3t (6,35 mm) |
| Cherry | 3t (4,75 mm) |

Exploded View

NOTE: Some modifications or adaptations might be available under special request.

www.industrias-lorenzo.com

English Rev:2.0.1

Contact

Tel: (+34) 936 47 34 50
e-mail: sales@industrias-lorenzo.com
Avda. Prat de la Riba, 84
08849 Sant Climent de Llobregat
BARCELONA (SPAIN)