

A0131

Subminiature Push Button
(RCT-SM)



Technical Data

Features

Subminiature Push Button.

Made of high quality technical plastic.

Available an extensive range of colours.

Illumination with Led or T5-T6 Lamp.

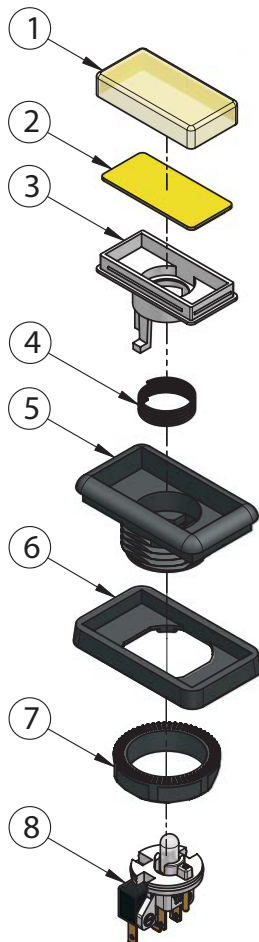
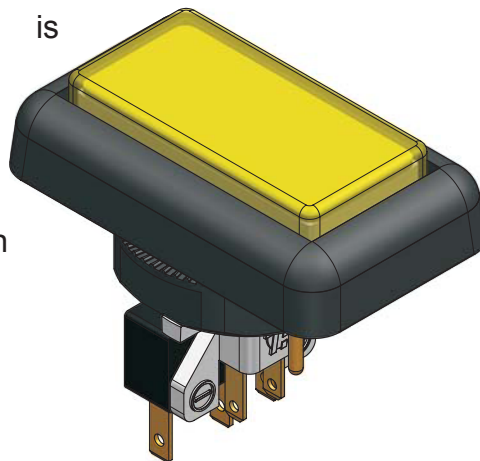
Microswitch variety.

Applications

Gaming machines where rectangular subminiature Push Button are needed.

The I.P.B. A0131 RCT-SM is High/Low profile Push Button with Rectangular Subminiature shape.

It's available in two kinds of fixations, Plug-in and Quick Turn System (A013A).



(1) LENS CAP "RCT-SM"		
# PART NUMBER	MATERIAL	COLOUR
C-01-50601001	PC (Clear)	RED
C-01-50601002		YELLOW
C-01-50601003		GREEN
C-01-50601004		AMBER
C-01-50601005		BLUE
C-01-50601006		TRANSPARENT

(2) PLASTIC LEGEND "RCT-SM"		
# PART NUMBER	MATERIAL	COLOUR
C-01-51601001	PS	RED
C-01-51601002		YELLOW
C-01-51601003		GREEN
C-01-51601004		AMBER
C-01-51601005		BLUE
C-01-51601006		WHITE
C-01-51601009		GRAY
C-01-51601066	PC	OPAL

(5) I.P.B. BEZEL "RCT-SM"		
# PART NUMBER	MATERIAL	COLOUR
C-01-01601010	A.B.S. (Natural)	—
C-01-01601012	A.B.S.	YELLOW
C-01-01601013		GREEN
C-01-01601017		BLACK
S-01-016010102		GOLDEN CHROMED
S-01-016010103		SILVER CHROMED
C-01-01601031	PC	RED
C-01-01601032		YELLOW
C-01-01601033		GREEN
C-01-01601034		AMBER
C-01-01601035		BLUE
C-01-01601036		TRANSPARENT
C-01-01601117		A.B.S. (Long Cane)

(6) I.P.B. ADAPTER "RCT-SM"		
# PART NUMBER	MATERIAL	COLOUR
C-01-03601017	A.B.S.	BLACK
C-01-03601031	PC (Clear)	RED
C-01-03601032		YELLOW
C-01-03601033		GREEN
C-01-03601036		CRYSTAL
C-01-03601417	A.B.S. (Latistat 36/MR04)	BLACK

www.aus.at

Contact
Tel: +43(0) 271 66 00
e-mail: sales@aus.at
Scheydgasse 48
A-1210 Wien
Austria

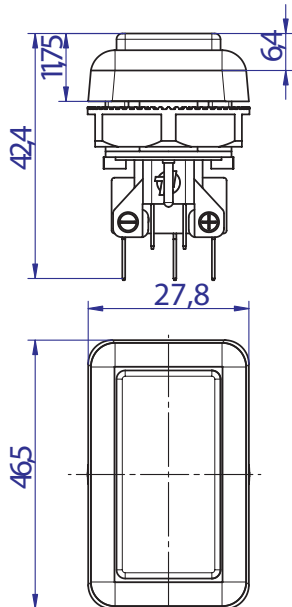
English Rev:1.0.1

A0131

Subminiature Push Button
(RCT-SM)



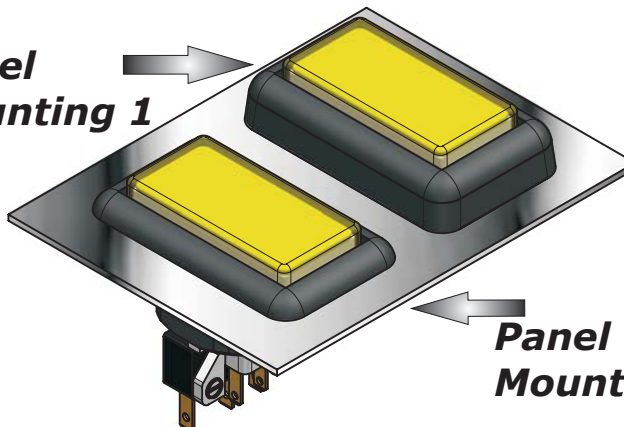
Technical Data



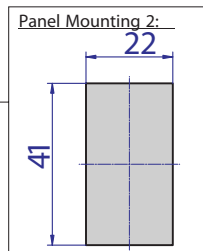
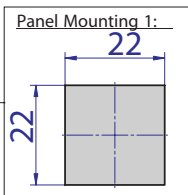
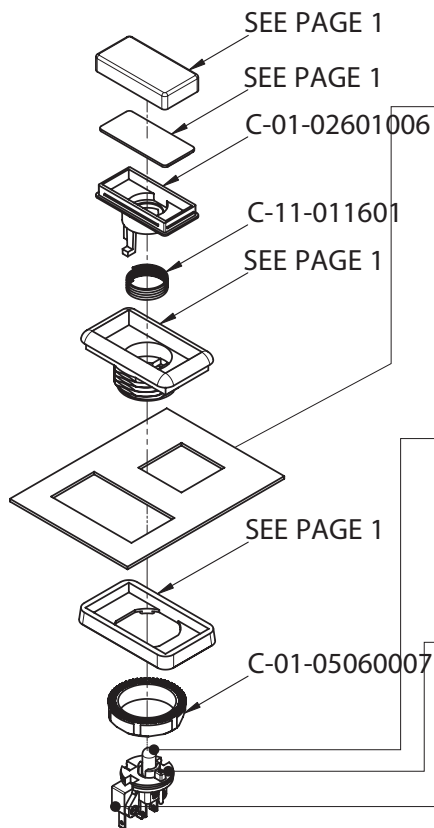
Dimensions

Low / High Profile

Panel Mounting 1



Panel Mounting 2

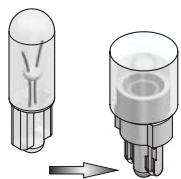


Exploded View

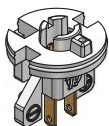
Available Lamps:

T-5	6V	1W	0,16A
T-5	12V	1W	0,08A
T-5	12V	1,2W	0,10A
T-5	24V	1W	0,04A
T-6	14V	1,12W	0,08A
T-6	28V	1,2W	0,04A
T-6	6,3V	1,26W	0,20A

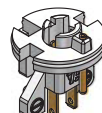
Also available "Led" (6V y 12V).



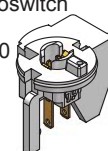
Lampholder SM USA
Fast-on SM05 UL310



Lampholder SM (T-6)
Fast-on SM05 UL310
(optional Ground Pin)



Lampholder SM for
normal Microswitch
Fast-on
SM05 UL310



Available Microswitches:

- DB3 Cherry
- DB5 Cherry
- X4C SAIA

NOTE: Some modifications or adaptations might be available under special request.

www.aus.at

Contact
Tel: +43(0) 1 271 66 00
e-mail: sales@aus.at
Scheydgasse 48
A-1210 Wien
Austria

English Rev:1.0.1