

A0123

Large Square H/L Profile I.P.B.
(CG-E)



Technical Data

Features

Robust assembly.

Large number of colours available.

Illumination with Led or T10 Lamp.

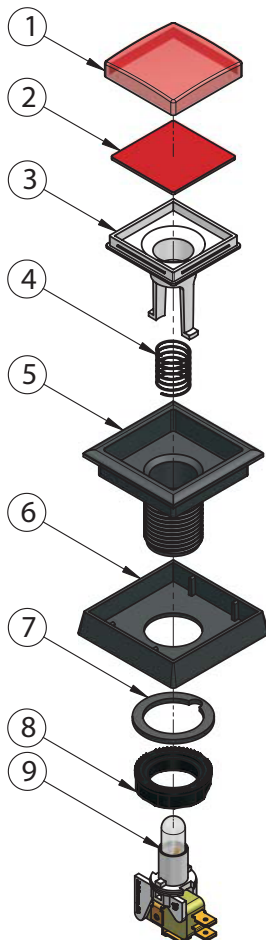
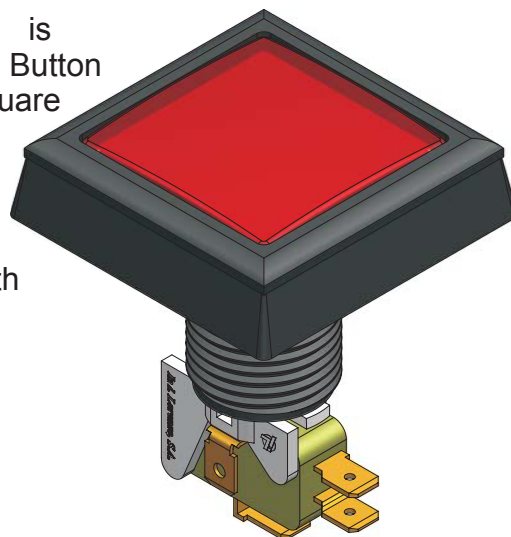
Microswitch variety.

Applications

Gaming machines where robust, H/L Profile Push Button are needed.

The I.P.B. A0123 CG-E is High/Low profile Push Button with Classic Large Square shape and can be mounted depending on convenience.

This I.P.B. is made with Plug-in System.



(5) I.P.B. BEZEL "CG-E"		
# PART NUMBER	MATERIAL	COLOUR
C-01-01402010	A.B.S.	NATURAL
C-01-01402015		BLUE
C-01-01402017		BLACK
S-01-014020102		GOLDEN CHROMED
C-01-01402031	PC (Clear)	RED
C-01-01402032		YELLOW
C-01-01402033		GREEN
C-01-01402034		AMBER
C-01-01402035		BLUE
C-01-01402036		TRANSPARENT

(1) LENS CAP "CG"		
# PART NUMBER	MATERIAL	COLOUR
C-01-50102001	PC (Clear)	RED
C-01-50102002		YELLOW
C-01-50102003		GREEN
C-01-50102004		AMBER
C-01-50102005		BLUE
C-01-50102006		TRANSPARENT

(6) I.P.B. ADAPTER "CG-E"			
# PART NUMBER	MATERIAL	COLOUR	FIXING
C-01-03402217	A.B.S.	BLACK	42 (mm)
C-01-03402811		RED	38 (mm)
C-01-03402812		YELLOW	
C-01-03402813		GREEN	
C-01-03402814		AMBER	
C-01-03402815		BLUE	
C-01-03402816		WHITE	
C-01-03402817		BLACK	

(2) PLASTIC LEGEND "CG"		
# PART NUMBER	MATERIAL	COLOUR
C-01-51102001	PS	RED
C-01-51102002		YELLOW
C-01-51102003		GREEN
C-01-51102004		AMBER
C-01-51102005		BLUE
C-01-51102006		WHITE
C-01-51102010	A.B.S.	OPAL
C-01-51102066	PC	OPAL

www.aus.at

Contact
Tel: +43(0)1 271 66 00
e-mail: sales@aus.at
Scheydgasse 48
A-1210 Wien
Austria

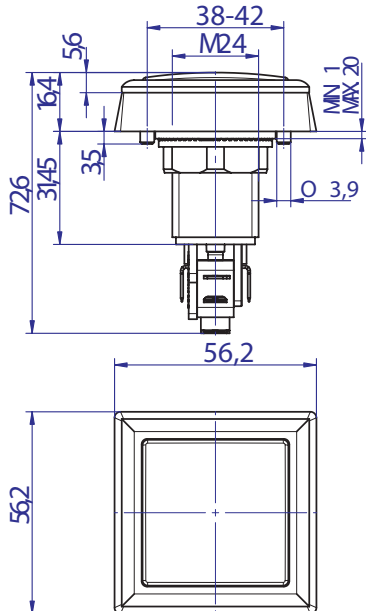
English Rev:1.0.1

A0123

Large Square H/L Profile I.P.B.
(CG-E)



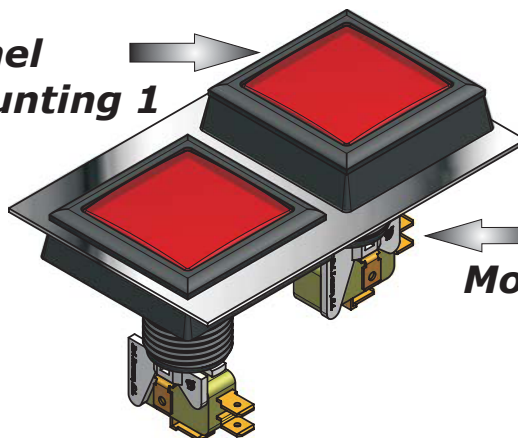
Technical Data



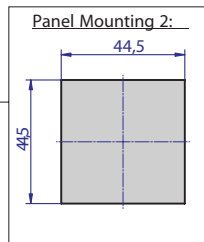
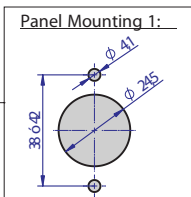
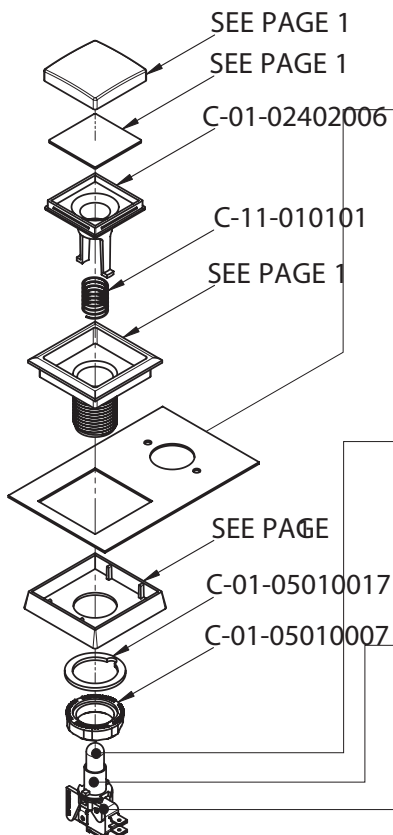
Dimensions

Low / High Profile

Panel Mounting 1



Panel Mounting 2



Exploded view

Available Lamps:

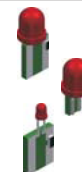
- T-10 12V 2,2W
- T-10 12V 1,5W
- T-10 12V 1,2W
- T-10 6V 2,0W
- T-10 6V 1,5W
- T-10 24V 2,0W
- T-10 28V 1,6W

Also available triple "Led" C-08-P3312X

Red LED of 8 mm. (Large PCB)

Red LED of 8 mm. (Small PCB)

Red LED of 3 mm. (Large PCB)



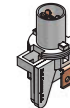
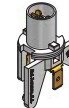
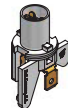
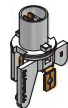
Lampholders:

Standard Lampholder for standard Microswitches. Fast-on 6,35x0,4

Standard Lampholder for standard Microswitches. Fast-on 6,35x0,7

Standard Lampholder for standard Microswitches. Fast-on 4,75x0,7

Standard Lampholder for standard Microswitches. Fast-on 6,35x0,7



Available Microswitches:

- SAIA 3t (6,35 mm)
- Honeywell 2t (6,35 mm)
- Cherry 3t (6,35 mm)
- Cherry 3t (4,75 mm)

NOTE: Some modifications or adaptations might be available under special request.

www.aus.at

Contact
Tel: +43 (0) 1 271 66 00
e-mail: sales@aus.at
Scheydgasse 48
A-1210 Wien
Austria

English Rev:1.0.1